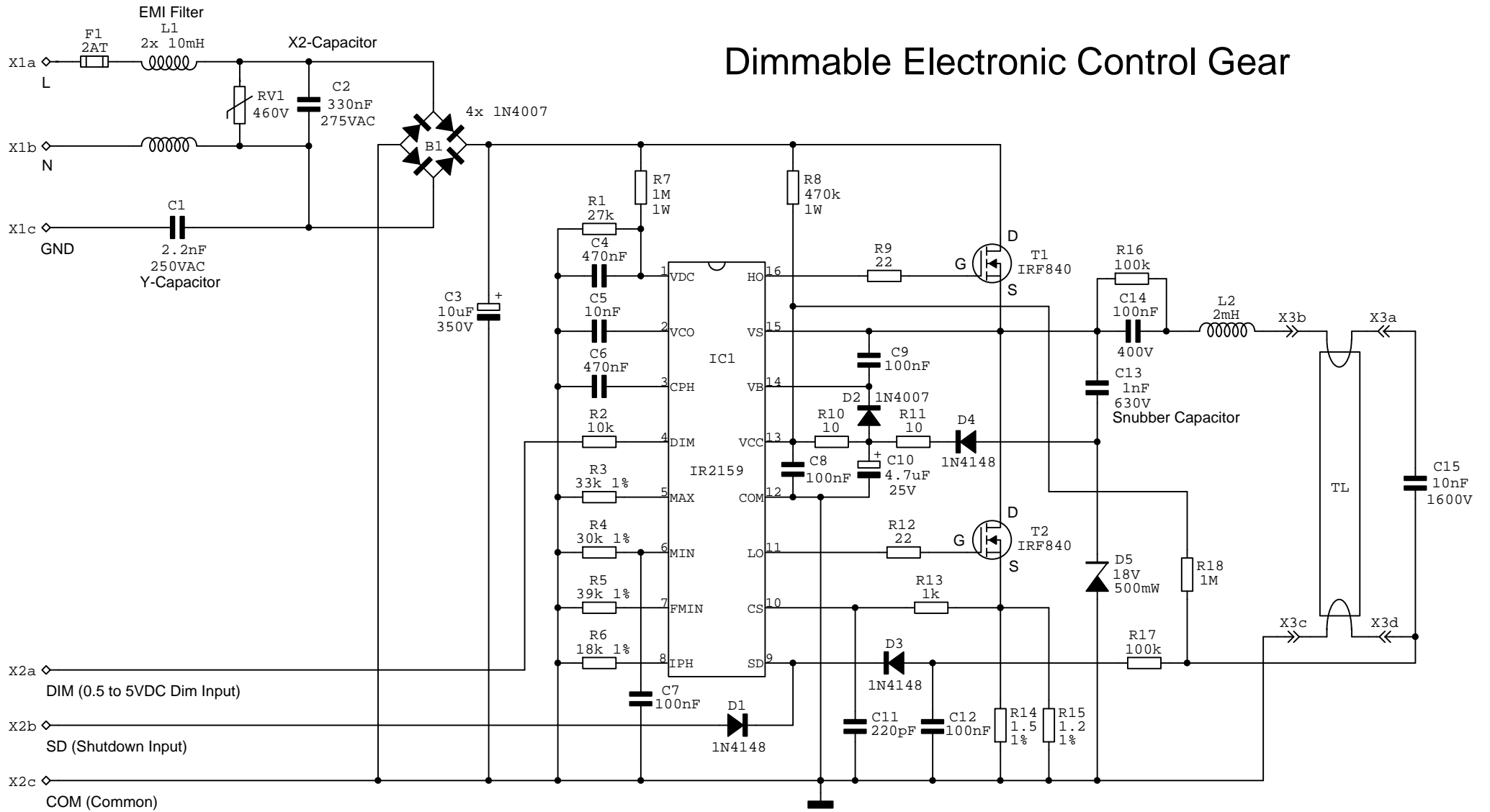


Dimmable Electronic Control Gear



Lamp type: TLD 30W

Line Input: 185 to 265VAC

Configuration: Single lamp/current-mode heating

Author: Chris Deceuninck (chris.deceuninck@skynet.be)	
Title: Dimmable Electronic Control Gear	
Rev F	ID International Rectifier IR2159 Dimmable Ballast IC
Date: 28/04/2002	Page: 1 of 1